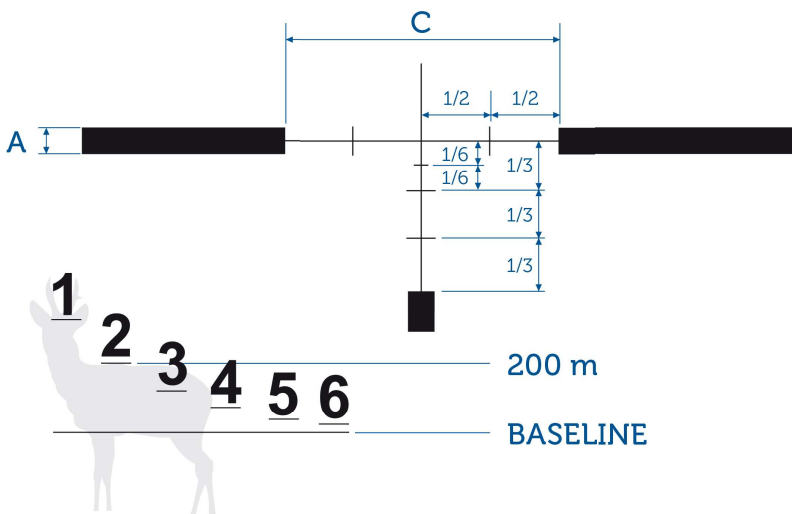


4B
 Meopta proprietary ranging and ballistic compensation reticle. Place the baseline marker bar parallel to the animal's belly as shown in the reticle above. The numbered distance bar that falls closest to the top of the animal's back indicates the approximate distance in hundreds of yards. Animal shown is approximately 200 meters out. Marker bars on the lower vertical post as holdovers for extended distances.



Artemis 2000 2-8x42

	Dimensions				Power
	cm/100m	in/100yd	MOA	mRad	
A	20,0	7,20	6,88	2,00	
C	140,0	50,40	48,13	14,00	
E	1,8	0,65	0,62	0,18	

Artemis 2000 3-12x50
 MeoStar R1 3-12x56

	Dimensions				Power
	cm/100m	in/100yd	MOA	mRad	
A	15,0	5,40	5,16	1,50	
C	140,0	50,40	48,13	14,00	
E	1,2	0,43	0,41	0,12	

Artemis 2000 3-9x42

	Dimensions				Power
	cm/100m	in/100yd	MOA	mRad	
A	20,0	7,20	6,88	2,00	
C	140,0	50,40	48,13	14,00	
E	1,6	0,58	0,55	0,16	

Artemis 2000 6x42

	Dimensions				Power
	cm/100m	in/100yd	MOA	mRad	
A	20,0	7,20	6,88	2,00	
C	140,0	50,40	48,13	14,00	
E	0,8	0,29	0,28	0,08	

Artemis 2000 7x50

	Dimensions				Power
	cm/100m	in/100yd	MOA	mRad	
A	20,0	7,20	6,88	2,00	
C	140,0	50,40	48,13	14,00	
E	0,7	0,25	0,24	0,07	

MeoStar R1 7x56

	Dimensions				Power
	cm/100m	in/100yd	MOA	mRad	
A	20,0	7,20	6,88	2,00	
C	140,0	50,40	48,13	14,00	
E	1,1	0,40	0,38	0,11	

E = thickness of the thin bars

